



Bursa Nilüfer Atatürk Anadolu Teknik Lisesi

ve

Endüstri Meslek Lisesi

Makine Teknolojisi Alanı Endüstriyel Kalıp Dalı

2D Çizim (Sketch) Çalışmaları

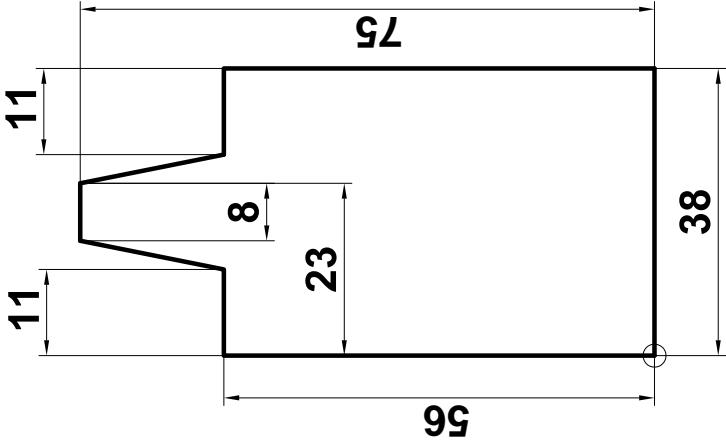
www.guven-kutay.ch

Hazırlayan : Adnan YILMAZ



2D Çizim (Sketch) Çalışmaları

www.guven-kutay.ch



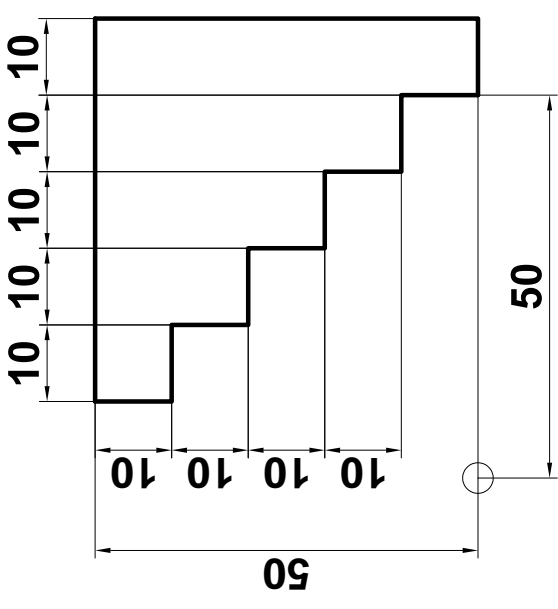
Solidworks :
1- Origin
2- Line
3- Smart Dimension

Catia :

1- Origin
2- Profile
3- Constraint

1

○ Orjin nokta (başlangıç noktası)



Solidworks :

1- Origin
2- Line
3- Smart Dimension

Catia :

1- Origin
2- Profile
3- Constraint

2

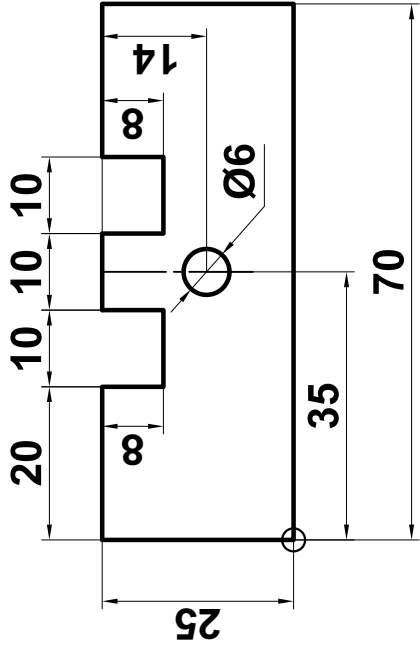
Hazırlayan : Adnan YILMAZ

3



2D Çizim (Sketch) Çalışmaları

www.guven-kutay.ch

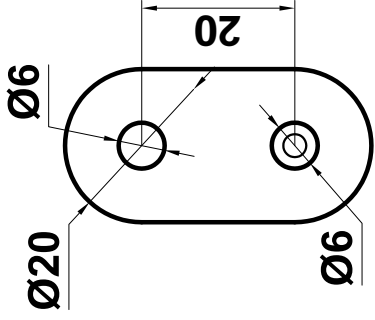


Solidworks :

- 1- Origin
- 2- Line
- 3- Smart Dimension
- 4- Circle

Catia :

- 1- Origin
- 2- Profile
- 3- Constraint
- 4- Circle

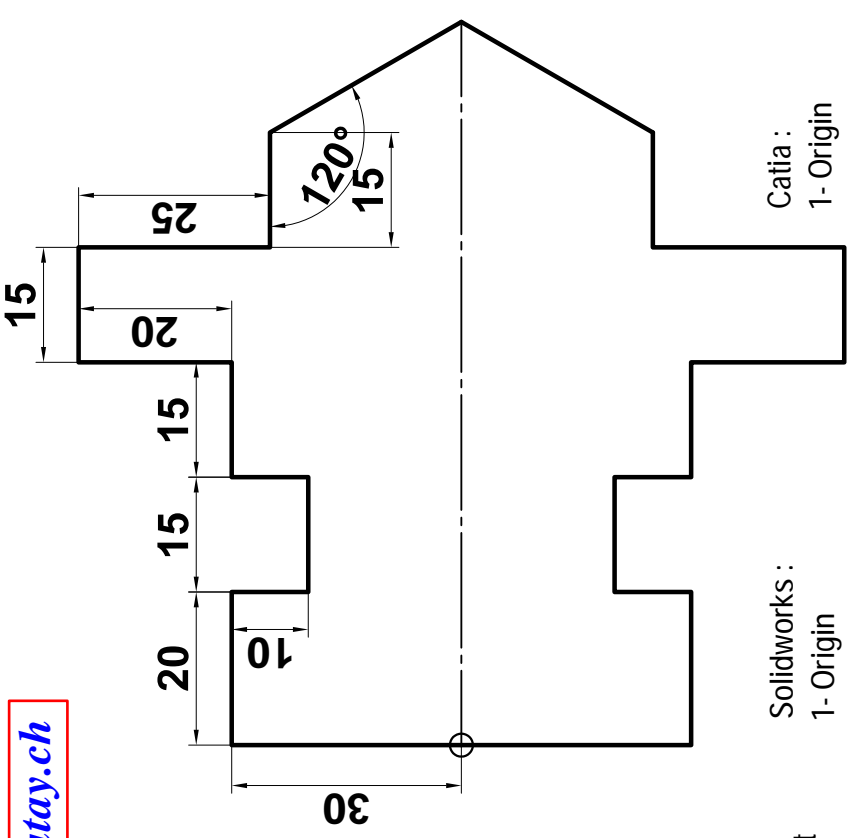


Solidworks :

- 1- Origin
- 2- Straight slot
- 3- Circle
- 4- Smart Dimension

Catia :

- 1- Origin
- 2- Profile
- 3- Constraint
- 4- Circle



Solidworks :

- 1- Origin
- 2- Line
- 3- Smart Dimension
- 4- Centerline
- 5- Trim Entities
- 6- Mirror Entities

Catia :

- 1- Origin
- 2- Profile
- 3- Constraint
- 4- Circle
- 5- Mirror
- 6- Quick trim

4

○ Orjin nokta

5

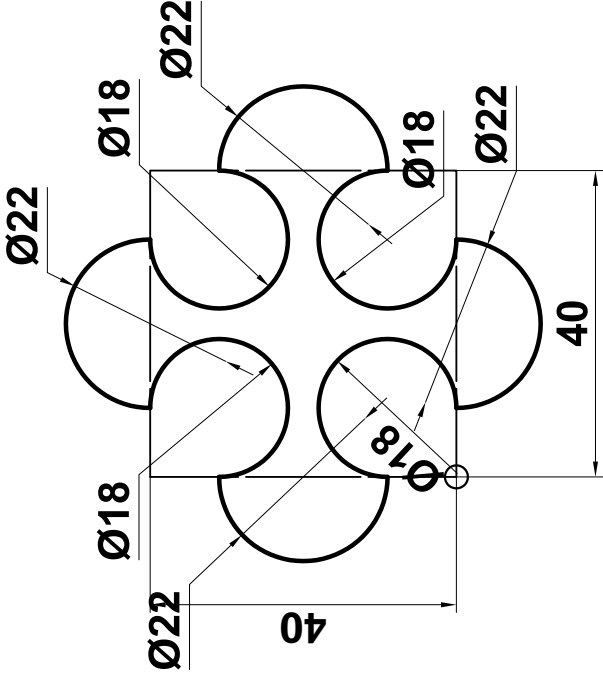
6

Hazırlayan : Adnan YILMAZ



2D Çizim (Sketch) Çalışmaları

www.guven-kutay.ch

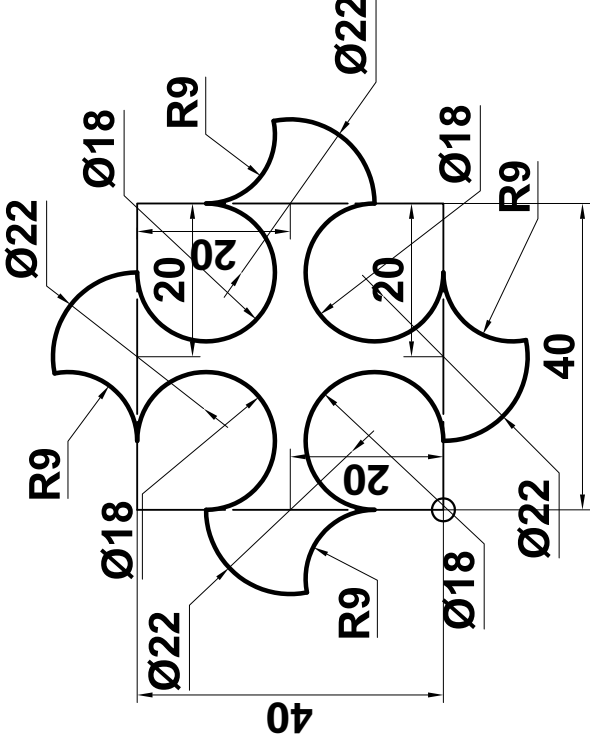


Solidworks :
1- Centerline
2- Smart Dimension
3- Circle
4- Tangent
5- Trim Entities
6- Tangent Arc
7- 3 Point Arc

Catia :

1- Origin
2- Axis
3- Constraint
4- Circle
5- Tangency
6- Quick trim
7- Tree Point Arc

7 Starting Whit Limits



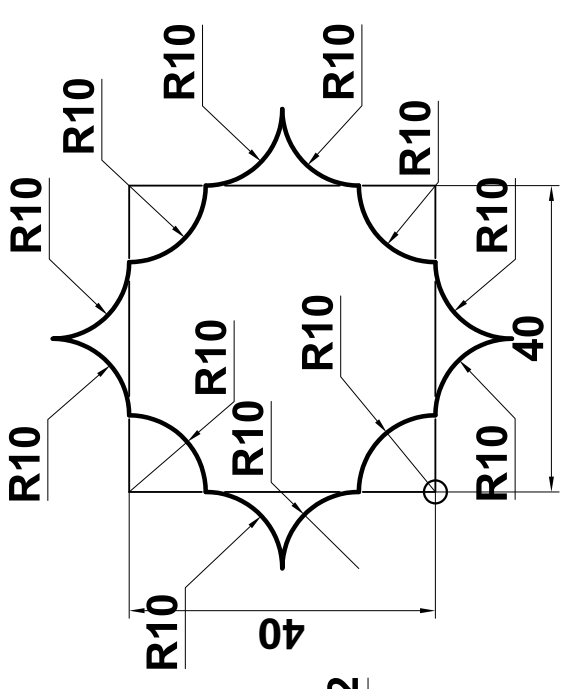
Solidworks :

1- Centerline
2- Smart Dimension
3- Circle
4- Tangent
5- Trim Entities
6- Tangent Arc
7- 3 Point Arc

Catia :

1- Origin
2- Axis
3- Constraint
4- Circle
5- Tangency
6- Quick trim
7- Tree Point Arc Starting
Whit Limits

8



Solidworks :

1- Centerline
2- Smart Dimension
3- Circle
4- Tangent
5- Trim Entities
6- Tangent Arc

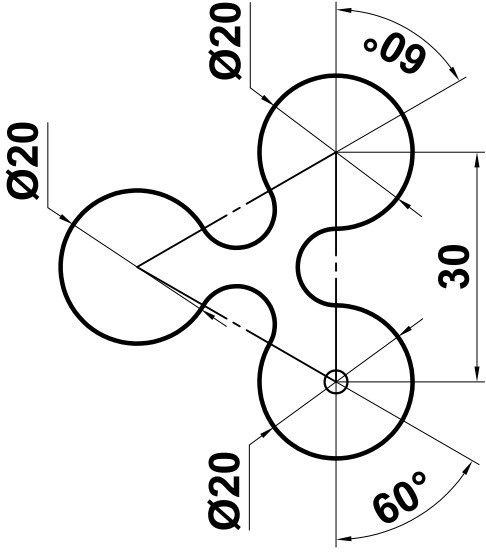
Catia :

1- Origin
2- Axis
3- Constraint
4- Circle
5- Tangency
6- Quick trim

9

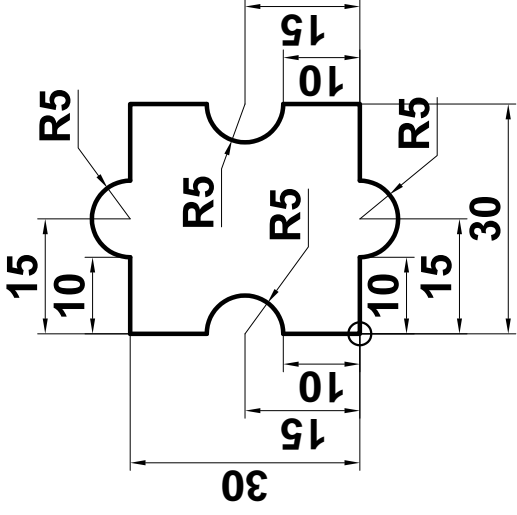
2D Çizim (Sketch) Çalışmaları

www.guven-kutay.ch



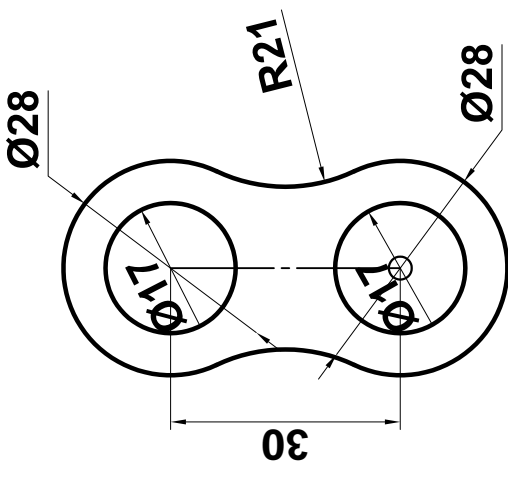
- Solidworks :
 1- Centerline
 2- Smart Dimension
 3- Circle
 4- Trim Entities
 5- Tangent Arc
- Catia :
 1- Axis
 2- Constraint
 3- Circle
 4- Quick trim
 5- Tree Point Arc Starting Whit Limits

10



- Solidworks :
 1- Line & Rectangle
 2- Smart Dimension
 3- Circle
 4- Trim Entities
- Catia :
 1- Profile & Rectangle
 2- Constraint
 3- Circle
 4- Quick trim

11



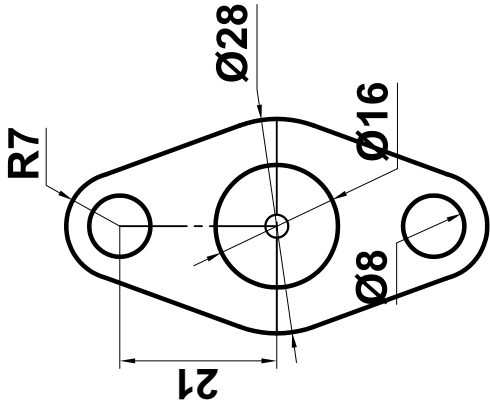
- Solidworks :
 1- Centerline
 2- Smart Dimension
 3- Circle
 4- 3 Point Arc
 5- Tangent
 6- Trim Entities
- Catia :
 1- Axis
 2- Constraint
 3- Circle
 4- Corner - No trim
 5- Quick trim
 6- Trim Entities

12



2D Çizim (Sketch) Çalışmaları

www.guven-kutay.ch

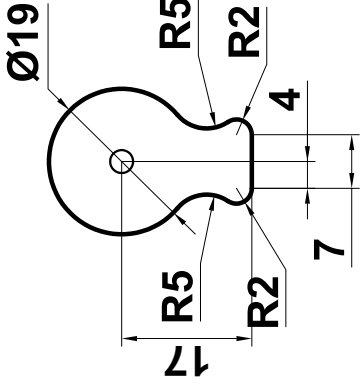


Solidworks :

- 1- Centerline
- 2- Smart Dimension
- 3- Circle
- 4- Line
- 5- Tangent
- 5- Trim Entities

Catia :

- 1- Axis
- 2- Constraint
- 3- Circle
- 4- Profile
- 5- Quick trim
- 6- Tangent

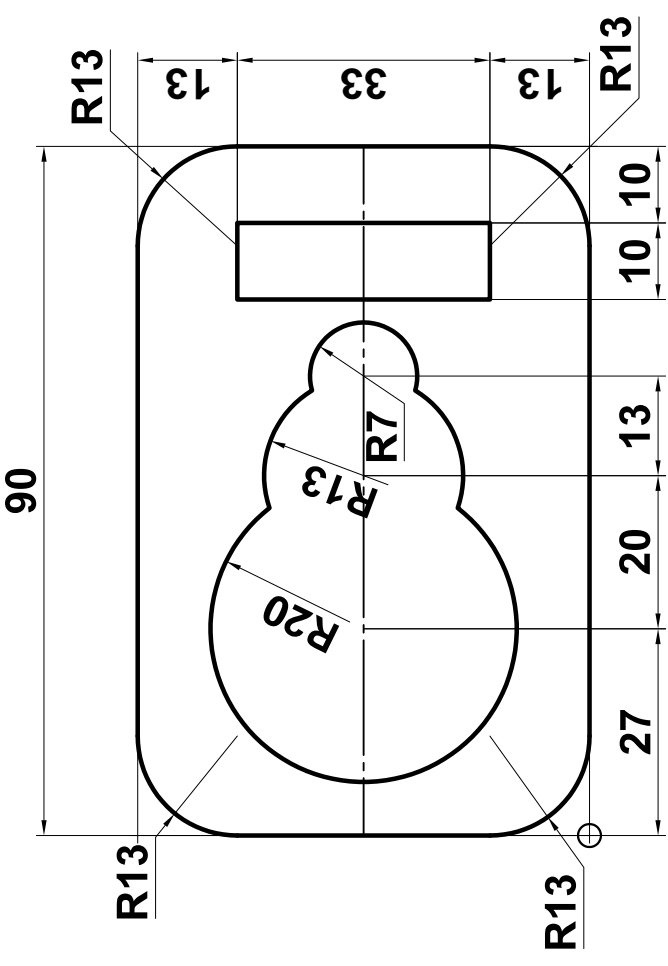


Solidworks :

- 1- Circle
- 2- Smart Dimension
- 3- Line
- 4- Tangent Arc
- 5- Tangent
- 6- Trim Entities

Catia :

- 1- Axis
- 2- Constraint
- 3- Circle
- 4- Profile
- 5- Quick trim
- 6- Tangent



Solidworks :

- 1- Corner Rectangle
- 2- Smart Dimension
- 3- Sketch Fillet
- 4- Circle
- 5- Line
- 6- Trim Entities

Catia :

- 1- Rectangle
- 2- Constraint
- 3- Corner - Trim All Elements
- 4- Circle
- 5- Quick trim
- 6- Tangent

13

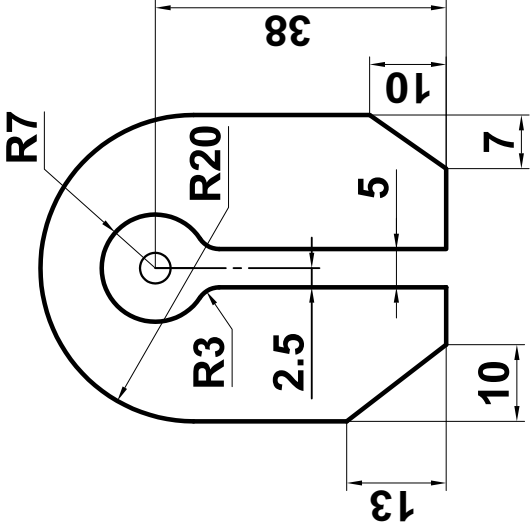
14

15



2D Çizim (Sketch) Çalışmaları

www.guven-kutay.ch

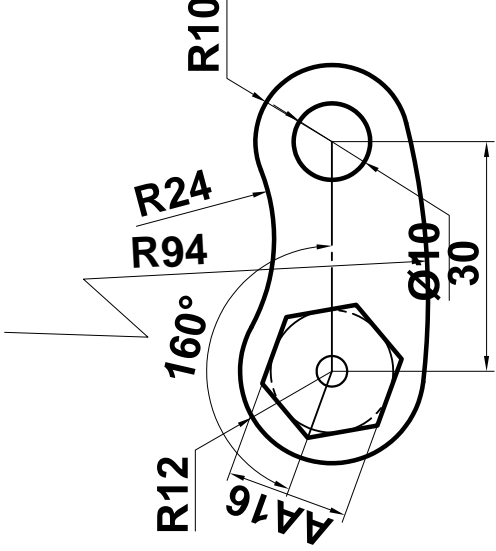


Solidworks :

- 1- Centerline
- 2- Smart Dimension
- 3- Line
- 4- Sketch Chamfer
- 5- Sketch Fillet
- 6- Trim Entities
- 7- Tangent Arc

Catia :

- 1- Axis
- 2- Constraint
- 3- Circle
- 4- Line
- 5- Quick trim
- 6- Corner
- 7- Chamfer

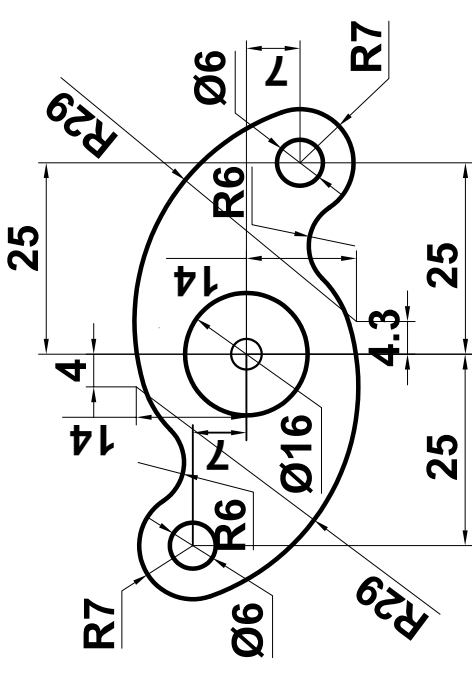


Solidworks :

- 1- Centerline
- 2- Smart Dimension
- 3- Circle
- 4- 3 Point Arc
- 5- Polygon
- 6- Trim Entities
- 7- Tangent Arc

Catia :

- 1- Axis
- 2- Constraint
- 3- Circle
- 4- Hexagon
- 5- Quick trim
- 6- Corner



Solidworks :

- 1- Circle
- 2- Smart Point Arc
- 3- 3 Point Arc
- 5- Trim Entities
- 6- Tangent Arc

Catia :

- 1- Circle
- 2- Constraint
- 3- Corner
- 4- Point by Clicking
- 5- Three Point Arc
- 6- Quick trim

16

○ Orjin nokta (başlangıç noktası)

17

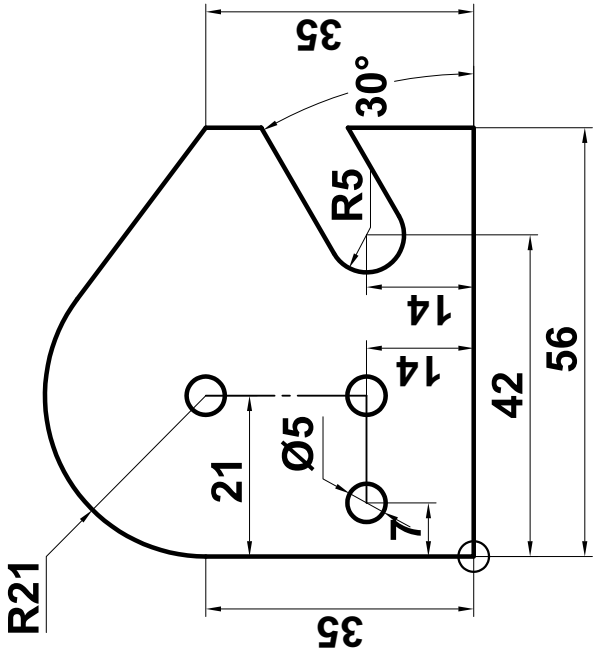
18

Hazırlayan : Adnan YILMAZ



2D Çizim (Sketch) Çalışmaları

www.guven-kutay.ch

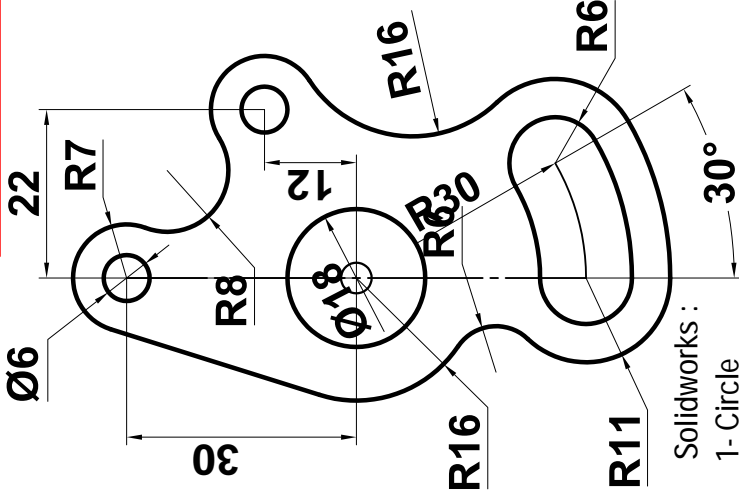


Solidworks :

- 1- Circle
- 2- Smart Dimension
- 3- Line
- 4- Trim Entities
- 5- Centerline

19

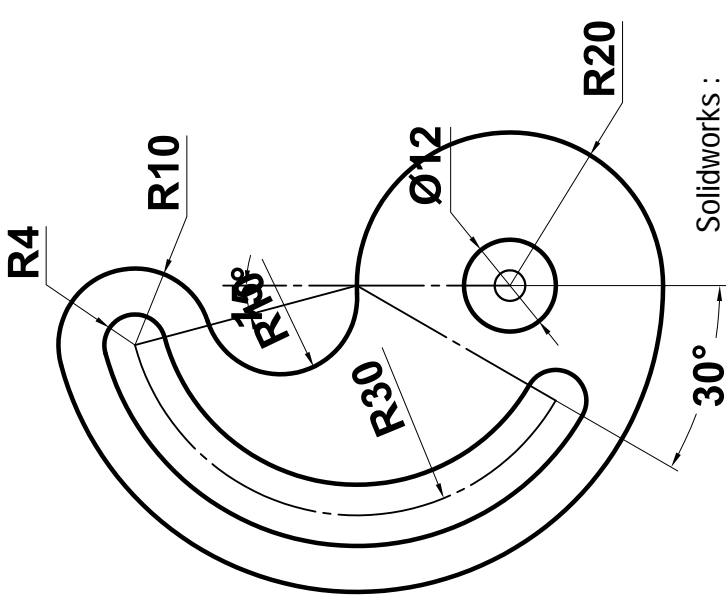
○ Orjin nokta (başlangıç noktası)



Solidworks :

- 1- Circle
- 2- Smart Dimension
- 3- Line
- 4- Trim Entities
- 5- Centerline
- 6- 3 Point Arc
- 7- Centerpoint Arc Slot

20



Solidworks :

- 1- Circle
- 2- Smart Dimension
- 3- Trim Entities
- 4- Centerline
- 5- 3 Point Arc
- 6- Centerpoint Arc Slot

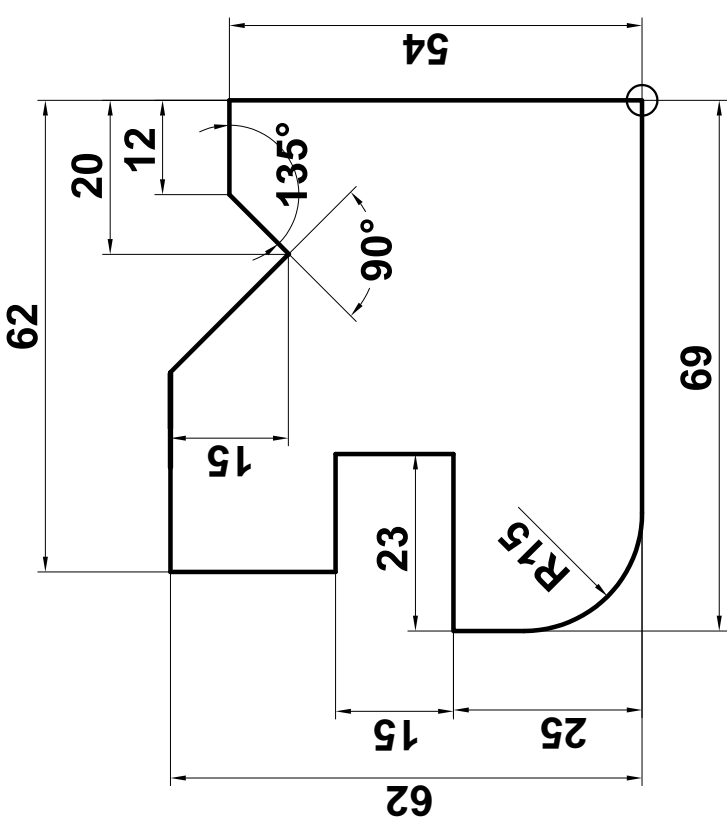
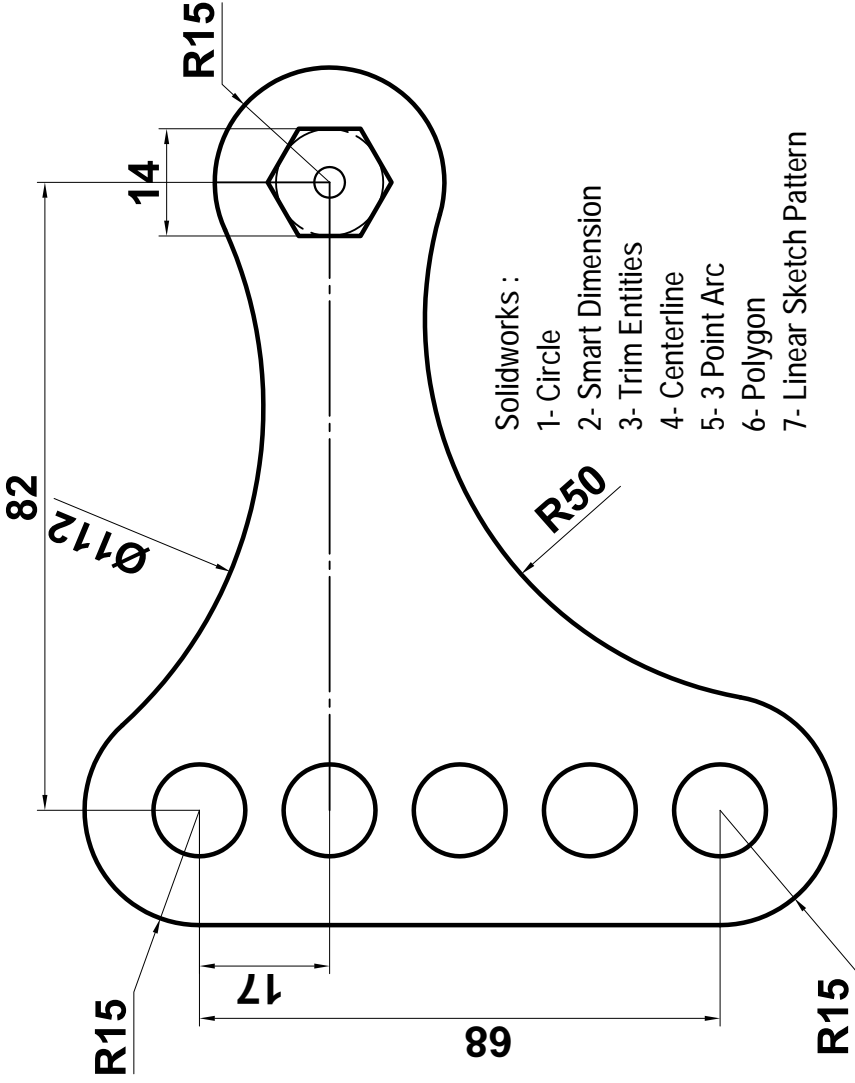
21

Hazırlayan : Adnan YILMAZ



2D Çizim (Sketch) Çalışmaları

www.guven-kutay.ch



22

○ Orjin nokta (başlangıç noktası)

23

Hazırlayan : Adnan YILMAZ